

Oasis



Oasis

The Oasis epitomises the beauty of a traditional Balinese palm leaf fan, perfect for any household that wants to spruce up their relax room. With four palm leaf shaped blades, the Oasis has excellent airflow and a tropical design intended for enclosed patios or any room which needs a relaxing feel.



* 3 year In Home + 3 year motor replacement warranty



MOF134OB

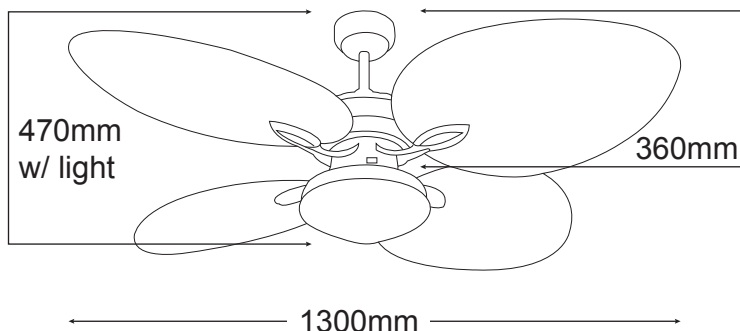
FEATURES

- /// 6 year warranty*
- /// High quality Old Bronze finish
- /// 1300mm palm leaf blades
- /// Fully reversible for summer & winter
- /// 3 speed wall control with light switch included
- /// Remote control adaptable
- /// Light adaptable (Light kit MOLKOB)



MOF134OB (w/ MOLKOB)

DIAGRAMS



	FORWARD/REVERSE			WALL CONTROL	LUMINOUS FLUX	MAX AIR FLOW
	High	Medium	Low			
RPM	166	113	80	3 Speed 2 + 3 5µF / 300V	N/A	TBA
CURRENT	0.26A	0.18A	0.12A			
POWER	63W	29W	15W			